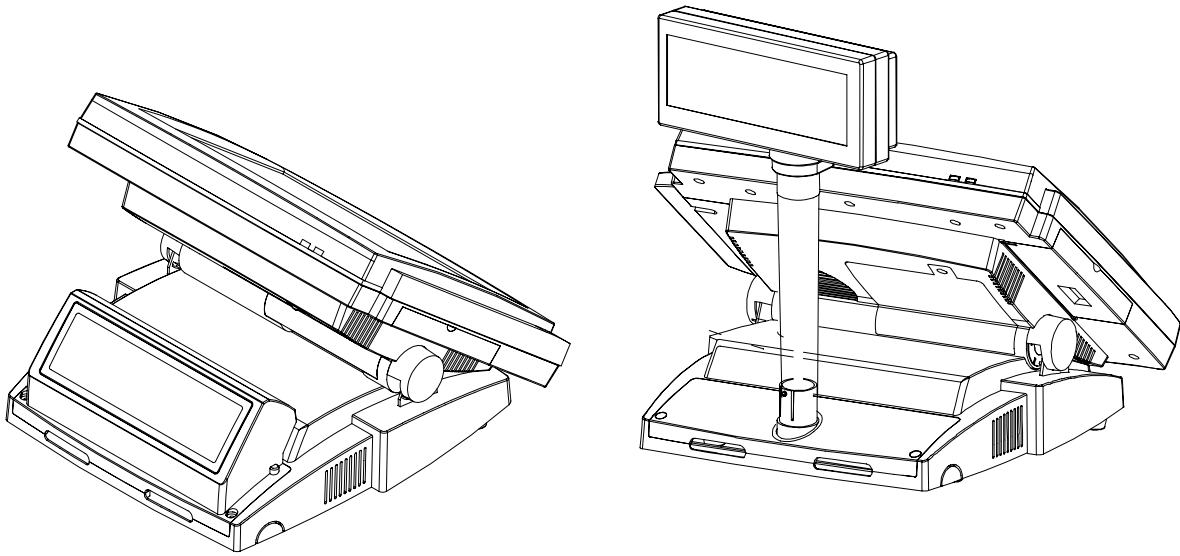


POS 500 505

Customer Display Installation Guide



Index

1.Accessory	3
2.Specification	4
2.1 VFD type	4
2.2 LCD type(V1.1)	5
2.3 LED type	6
3.Connector Pin Assignment.....	7
4.Install Customer Display	8
4.1 Jumper setting	8
4.1.1 COM6 of B65 M/B.....	8
4.1.2 COM6 of B55 I/O Board.....	9
4.2 Install Pole Customer Display	10
4.3 Install Flat Type Customer Display	11
5.Test Program.....	12

1. Accessory



Customer Display with Pole Module



Customer Display without Pole Module



22cm Pole Support



RJ-45 to DB-9F Flat Cable



9cm Pole Support



Pole Support Cover kit

2. Specification

2.1 VFD type

Model	2*20 VFD	1*12 VFD
Display method	Vacuum fluorescent display	
Number of character	40 characters (20 columns x 2 lines)	12 characters (12 columns x 1 line)
Character font	5 x 7 Dot matrix: 9mm x 5.25mm	7 Segment Dot matrix: 17mm x 5.4mm
Display color	Blue Green	Blue Green
Brightness	700 cd /m ²	
Character type	96 alphanumeric 13 kinds of international character set 1 kind of user define character	10 numeric
Power supply	12 ~ 19V DC	12 ~ 19V DC
Power consumption	3 ~ 6 W	2~ 4W
MTBF	25000 hours (power on time)	
Panel dimensions	224 (W) x 93 (H) x 50(D) mm	
Support dimensions	Long support: 22 cm Short support: 9 cm	
Viewing angle	-5 ~ 60 degrees	
Rotation angle	Maximum 270 degrees	
Operating temperature	5 ~ 45°C	
Operating Humidity	30% ~ 85%	
Storage Temperature	-10 ~ 55°C	
Storage Humidity	10% ~ 85%	

If you choose VFD type, set the jumper of the COM port (Pin 1 or Pin 9) to activate +12V DC. Please refer to the POS500 505 B55 B65 M/B Installation Guide.

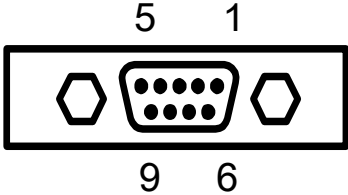
2.2 LCD type(V1.1)

ITEM	DESCRIPTIONS
Display Method	Liquid crystal display
LCD Type	STN Blue mode
Backlight Mode	CCFL backlight
Brightness	100 cd/m ²
Display Color	White character on blue background
Number of Character	30 x 4 lines (2 lines double high) alphanumeric 15 x 4 lines (2 lines double high) Chinese characters
Character Font	8 x 16 dot by alphanumeric, 16 x 16 dot by Chinese characters
Character Type	96 alphanumeric, 13000 Traditional Chinese characters (Big 5)
	96 alphanumeric, 8000 Simplified Chinese characters (GB)
	96 alphanumeric, 7000 Japanese characters
	96 alphanumeric, 8000 Korean characters
Character Size	8.47 x 4.24mm(16x8 dots)
	8.47 x 8.47mm(16x16 dots)
	16.94 x 8.47mm(32x16 dots)
Power Supply (For stand alone type)	9~ 33 VDC
Power consumption (stand alone LCD type)	3 ~ 6 W (Standby : 1 W)
MTBF	15~ 20k hours (life time)
Support Dimensions	220 mm x 1 + 90 mm x 1
Operating Temperature	0 ~ 50°C
Operating Humidity	30 ~ 85%
Storage Temperature	-20~ 55°C
Storage Humidity	10~ 85%
Viewing Angle	-5 ~ 60°
Rotation Angle	270°

2.3 LED type

ITEM	DESCRIPTIONS
Display Method	LED
Number of Character	11 characters
Character Font	7 segment
Display Color	Yellow Green
Brightness	450 cd/m ²
Character Type	10 numeric
Character Size	14.3 x 9 mm
Power Supply	9 ~ 35vdc
Power Consumption	3 ~ 6 W
MTBF	25k hours
Panel Dimensions	224 (W) x 93 (H) x 50(D) mm
Support Dimensions	219 mm x 1 + 88 mm x 1
Base Dimensions	190 (W) x 55 (H) x 96(D) mm
Viewing Angle	-5 ~ 60°
Rotation Angle	270°
Weight	1.2 Kg
Operating Temperature	5 ~ 45°C
Operating Humidity	30 ~ 85%
Storage Temperature	-10 ~ 55°C
Storage Humidity	10 ~ 85%

3.Connector Pin Assignment

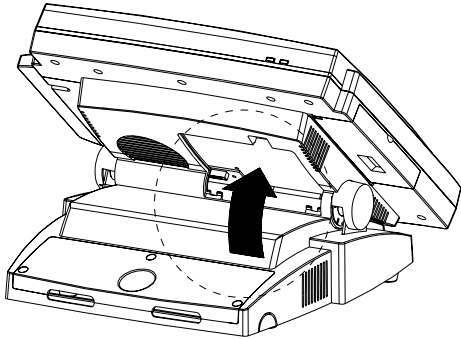


Pin	Assignment	Pin	Assignment	Pin	Assignment
1	+12V	4	DSR	7	NC
2	RXD	5	GND	8	DSR
3	TXD	6	DSR	9	NC

4. Install Customer Display

4.1 Jumper setting

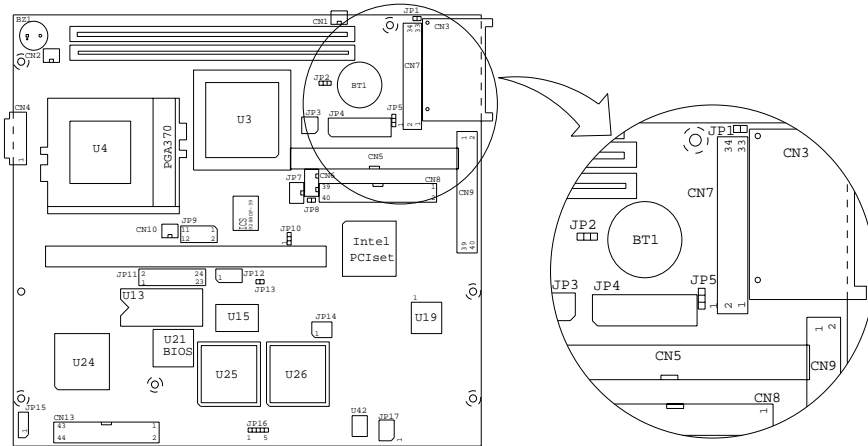
4.1.1 COM6 of B65 M/B



1-a. Remove cable management covers from the backside of POS500 unit.

COM 6 PORT CN7	
Pin (SHORT)	Function
27-28	+5V
29-30	+12V
25-26	COM6 – DCCD6

1-b. Jumper setting on B65 main board: Set CN7 on 29-30 (+12V)



1-c. CN7 location on B65 main board

4.1.2 COM6 of B55 I/O Board



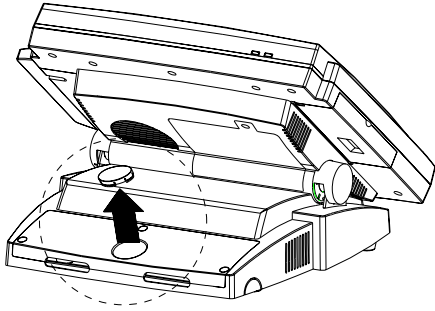
4.1.2.1 Pin1/Pin9 Function of COM Port Selection: JP1



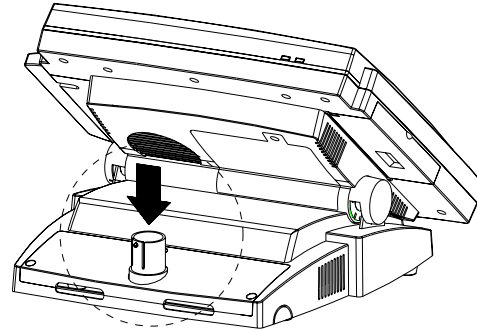
* Factory Default Setting

COM	PIN	Function	Jumper (SHORT)
6	1	*DCCD	13-14
		12V	15-16
		5V	17-18
6	9	*RI	19-20
		12V	21-22
		5V	23-24

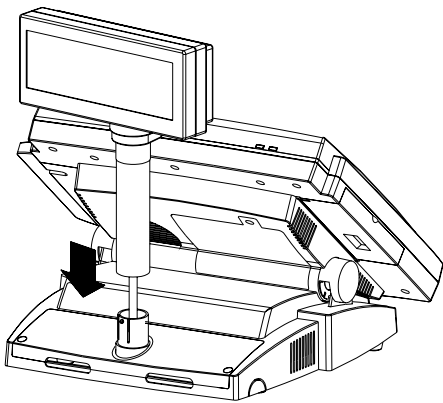
4.2 Install Pole Customer Display



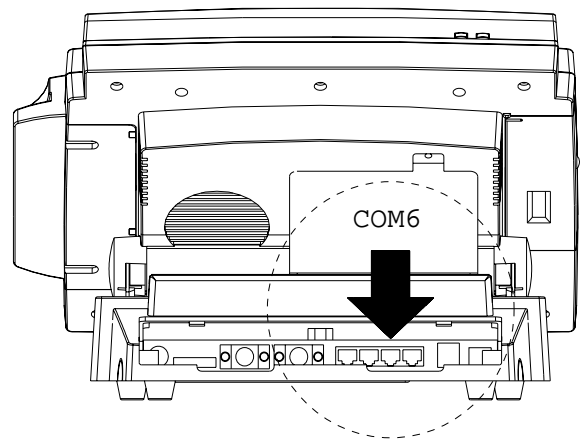
a. Remove the Pole Display cover from POS 500 base unit.



b. Install the Pole Display stud onto POS 500 base.

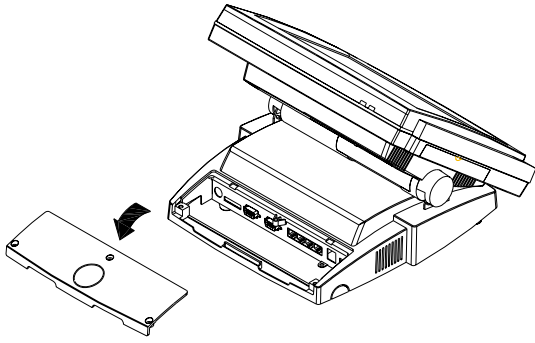


c. Install Pole Display flat cable into Pole Display foot support tube. Use two tubes or just one of them according to the height of your desire.

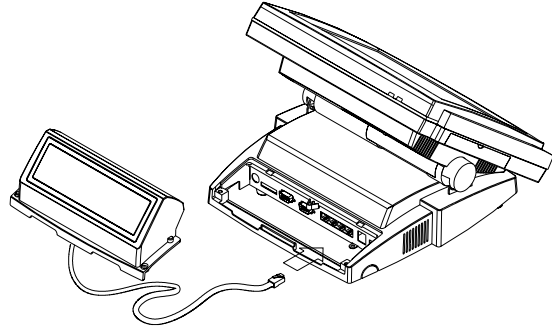


d. Connect RJ-45 connector of the flat cable to POS500 serial port COM6.

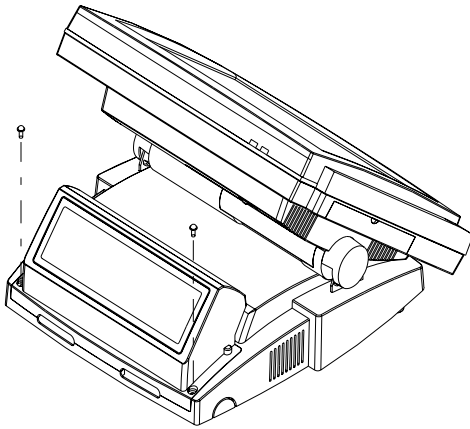
4.3 Install Flat Type Customer Display



- a. Remove I/O connector base cover from POS500 system by releasing four screws (three on top and the fourth one on bottom).

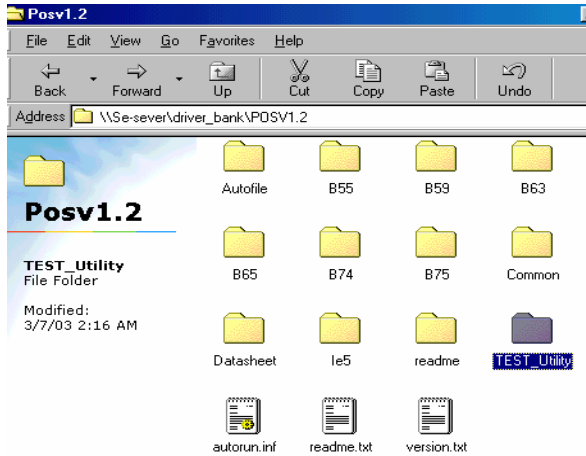


- b. Connect two RJ45 connectors of the flat cable to Pole Display unit and COM6 on POS500.

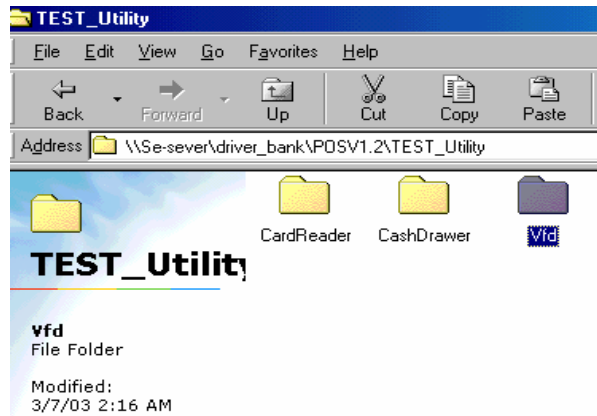


- c. Fix the Pole Display unit onto POS500 base with two screws as shown.

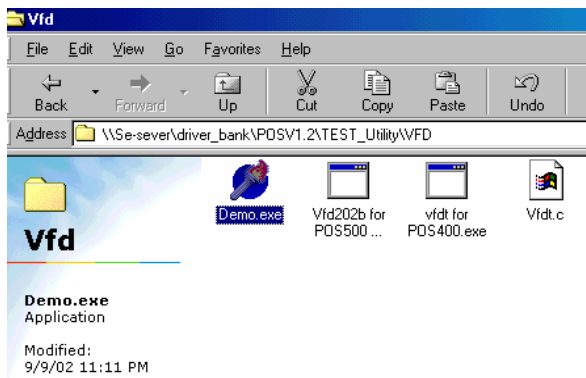
5. Test Program



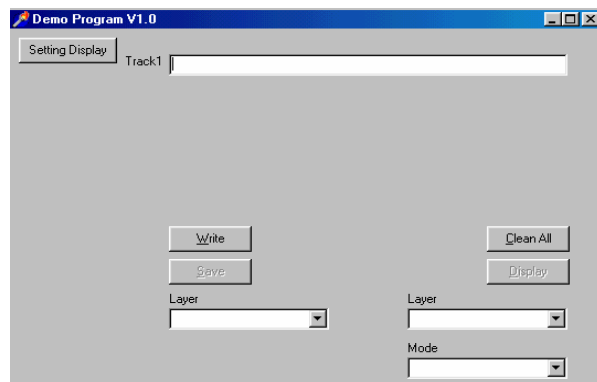
a. Select "TEST_Utility" in the Driver Bank.



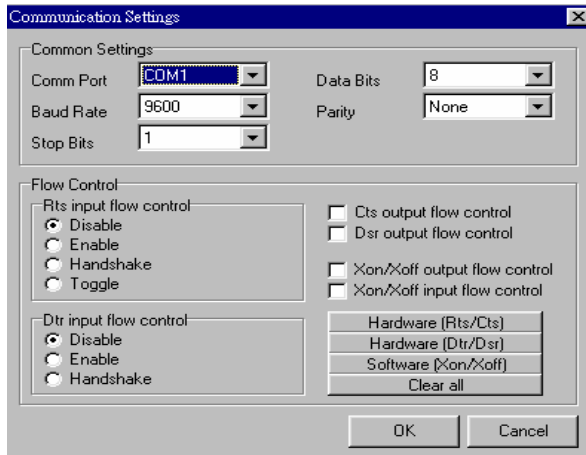
b. Select "Vfd" in the TEST_Utility window.



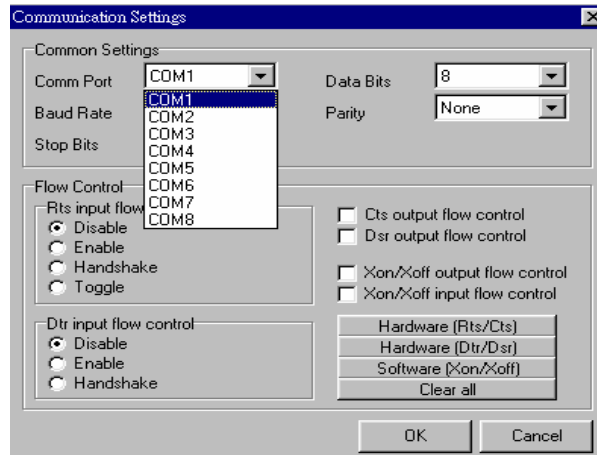
c. Double click "Demo.exe" in the Vfd window.



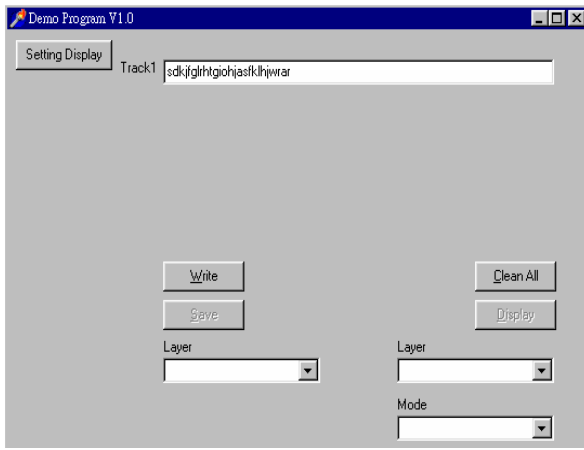
d. Click "Setting Display" button on the Demo Program V1.0 window.



e. Pull down "Comm Port" in the Communication Settings window.



f. Choose the COM port your Customer Display is connected to with the RS232 connector.



g. Type any words and click "Write" button for testing, and you will see them on the customer display.