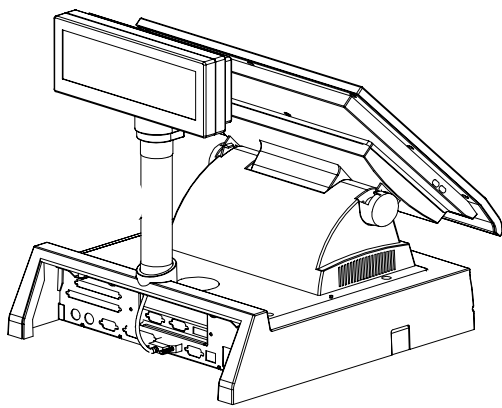
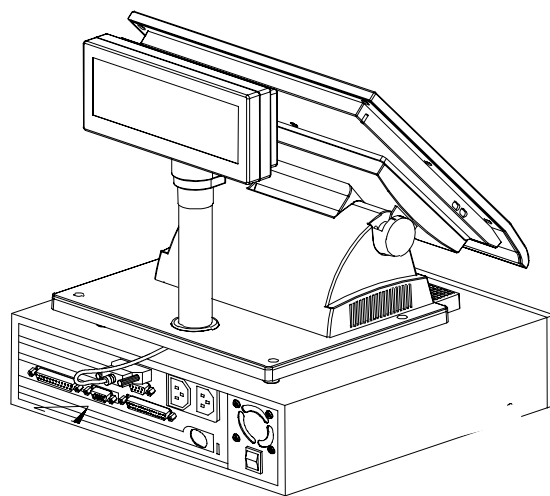


POS 400 112 /115 Customer Display Installation Guide



POS 400



POS 112 / 115

Index

1.Accessory	3
2.Specification	4
2.1 VFD type.....	4
2.2 LCD type(V1.1)	5
2.3 LED type	6
3.Connector Pin Assignment.....	7
4.Install Customer Display	8
4.1 POS 400	8
4.2 POS 112 /115.....	10
5.Test Program.....	11

1. Accessory



Customer Display with Pole Module



Customer Display without Pole Module



22cm Pole Support



RJ-45 to DB-9F Flat Cable



9cm Pole Support



Pole Support Cover kit

2. Specification

2.1 VFD type

Model	2*20 VFD	1*12 VFD
Display method	Vacuum fluorescent display	
Number of character	40 characters (20 columns x 2 lines)	12 characters (12 columns x 1 line)
Character font	5 x 7 Dot matrix: 9mm x 5.25mm	7 Segment Dot matrix: 17mm x 5.4mm
Display color	Blue Green	Blue Green
Brightness	700 cd /m ²	
Character type	96 alphanumeric 13 kinds of international character set 1 kind of user define character	10 numeric
Power supply	12 ~ 19V DC	12 ~ 19V DC
Power consumption	3 ~ 6 W	2 ~ 4W
MTBF	25000 hours (power on time)	
Panel dimensions	224 (W) x 93 (H) x 50(D) mm	
Support dimensions	Long support: 22 cm Short support: 9 cm	
Viewing angle	-5 ~ 60 degrees	
Rotation angle	Maximum 270 degrees	
Operating temperature	5 ~ 45°C	
Operating Humidity	30% ~ 85%	
Storage Temperature	-10 ~ 55°C	
Storage Humidity	10% ~ 85%	

If you choose VFD type, set the jumper of the COM port (Pin 1 or Pin 9) to activate +12V DC.

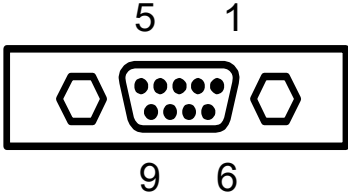
2.2 LCD type(V1.1)

ITEM	DESCRIPTIONS
Display Method	Liquid crystal display
LCD Type	STN Blue mode
Backlight Mode	CCFL backlight
Brightness	100 cd/m ²
Display Color	White character on blue background
Number of Character	30 x 4 lines (2 lines double high) alphanumeric 15 x 4 lines (2 lines double high) Chinese characters
Character Font	8 x 16 dot by alphanumeric, 16 x 16 dot by Chinese characters
Character Type	96 alphanumeric, 13000 Traditional Chinese characters (Big 5)
	96 alphanumeric, 8000 Simplified Chinese characters (GB)
	96 alphanumeric, 7000 Japanese characters
	96 alphanumeric, 8000 Korean characters
Character Size	8.47 x 4.24mm(16x8 dots)
	8.47 x 8.47mm(16x16 dots)
	16.94 x 8.47mm(32x16 dots)
Power Supply (For stand alone type)	9~33 VDC
Power consumption (stand alone LCD type)	3 ~ 6 W (Standby : 1 W)
MTBF	15~20k hours (life time)
Support Dimensions	220 mm x 1 + 90 mm x 1
Operating Temperature	0 ~ 50°C
Operating Humidity	30 ~ 85%
Storage Temperature	-20 ~ 55°C
Storage Humidity	10 ~ 85%
Viewing Angle	-5 ~ 60°
Rotation Angle	270°

2.3 LED type

ITEM	DESCRIPTIONS
Display Method	LED
Number of Character	11 characters
Character Font	7 segment
Display Color	Yellow Green
Brightness	450 cd/m ²
Character Type	10 numeric
Character Size	14.3 x 9 mm
Power Supply	9~ 35vdc
Power Consumption	3 ~ 6 W
MTBF	25k hours
Panel Dimensions	224 (W) x 93 (H) x 50(D) mm
Support Dimensions	219 mm x 1 + 88 mm x 1
Base Dimensions	190 (W) x 55 (H) x 96(D) mm
Viewing Angle	-5 ~ 60°
Rotation Angle	270°
Weight	1.2 Kg
Operating Temperature	5 ~ 45°C
Operating Humidity	30~ 85%
Storage Temperature	-10 ~ 55°C
Storage Humidity	10 ~ 85%

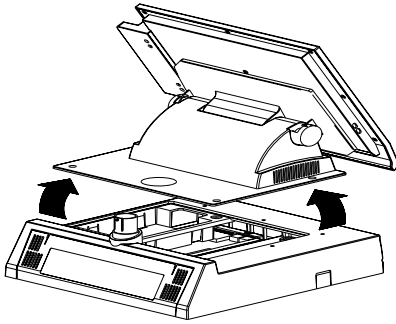
3.Connector Pin Assignment



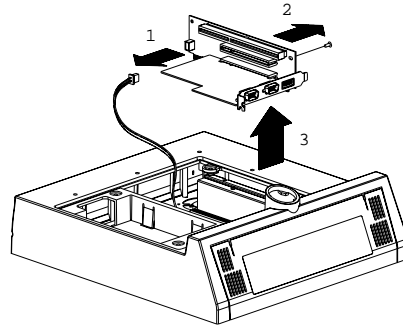
Pin	Assignment	Pin	Assignment	Pin	Assignment
1	+12V	4	DSR	7	NC
2	RXD	5	GND	8	DSR
3	TXD	6	DSR	9	NC

4. Install Customer Display

4.1 POS 400

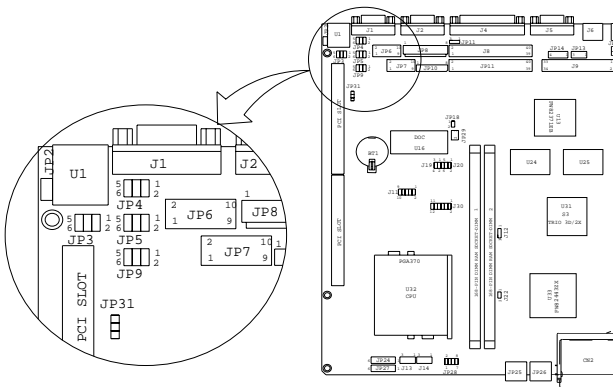


1-a. Use screwdriver to remove 4 pieces of screws which fix POS400 system base and supporter.



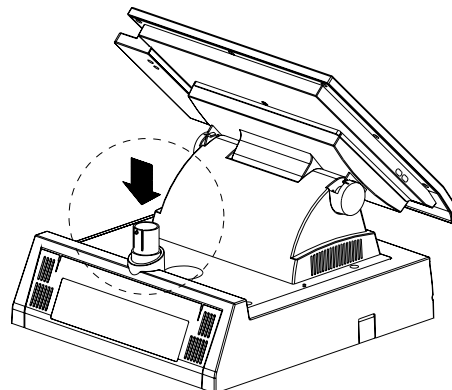
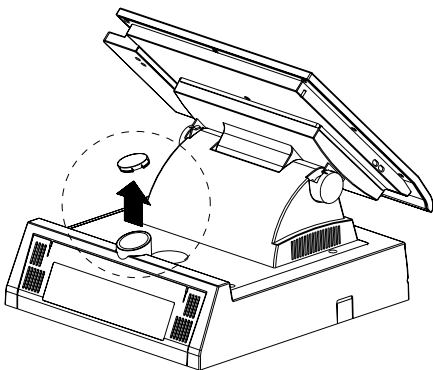
1-b. Remove screws and flat cable which is connected on expansion card on system unit.

1-c. Remove the expansion card and interface board off the system.

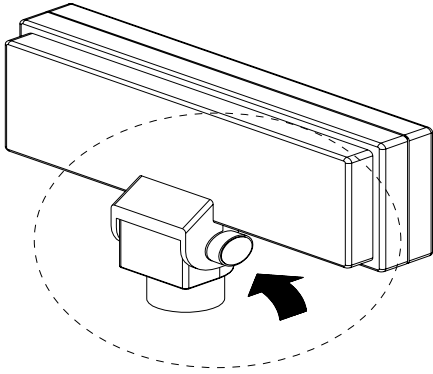


1-d. Set B63 M/B JP3 on 5-6 (+12VDC)

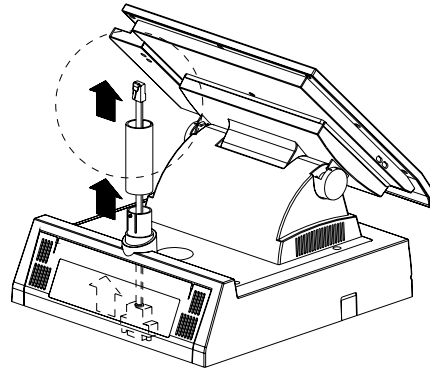
COM2 PORT JP3	
Pin	Function
1-2	DATA LINE
3-4	+5V
5-6	+12V



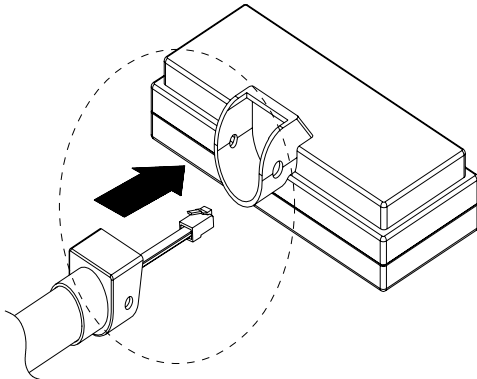
2-a. Remove the Pole Display cover from POS 400 base unit.



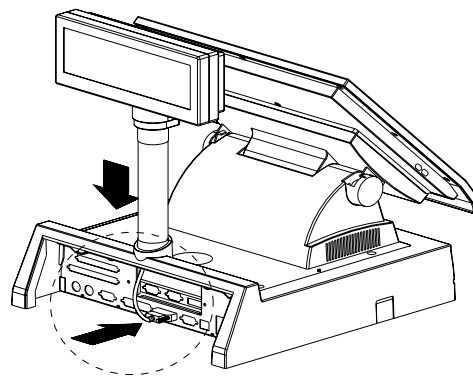
2-b. Install the Pole Display stud onto POS400 base.



3-a. Unscrew the adjustment screw from the Pole Display Panel.



3-b. Install the flat cable RJ-45 connector across the Pole Stud of POS400 system unit and the Pole Display Tube(s). You can use two tubes or just one of them according to the height of your desire.

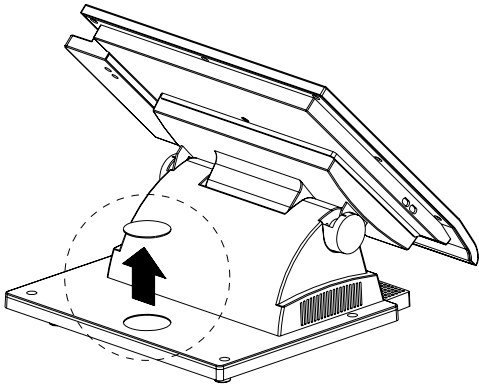


4-a. Connect the flat cable RJ-45 connector to the Pole Display module.

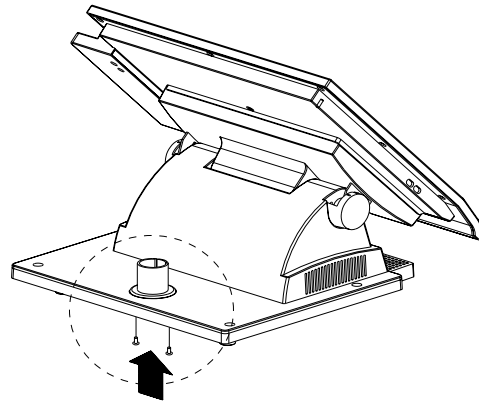
4-b. Set the Pole Display module and tube onto pole stud of POS400 system unit.

4-c. Connect DB9M connector of the flat cable to COM2 of the POS400

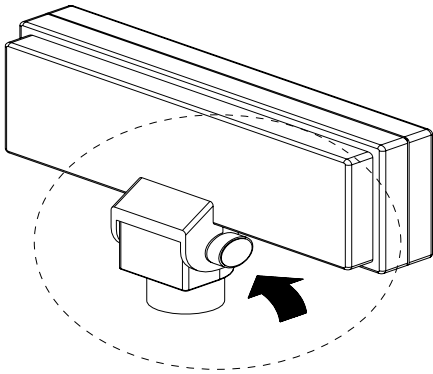
4.2 POS 112 /115



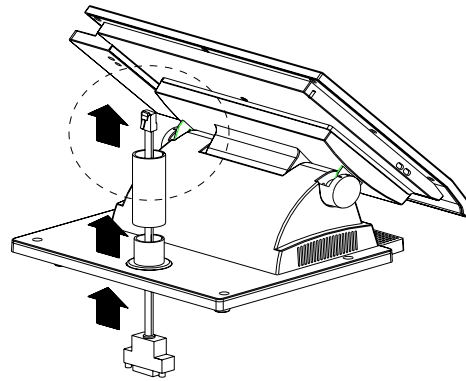
a. Remove the Pole Display cover from POS 112 system unit.



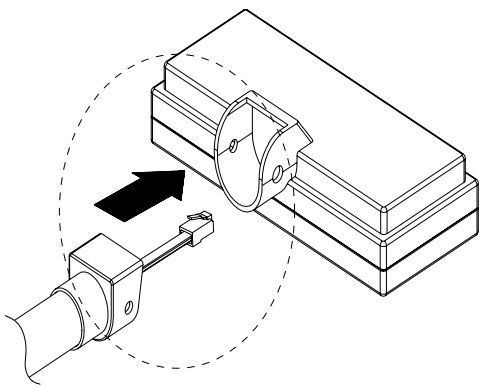
b. Install the Pole Display stud onto POS400 base.



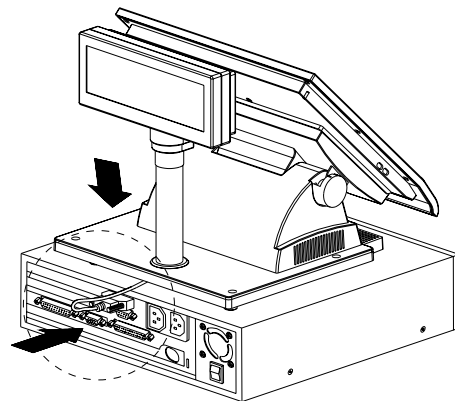
c. Unscrew two adjustment nubs of the Pole Display module.



d. Install the flat cable with RJ-45 end across the Pole Stud of POS112 system unit and the Pole Display Tube. You can use two tubes or just one of them according to the height of your desire.

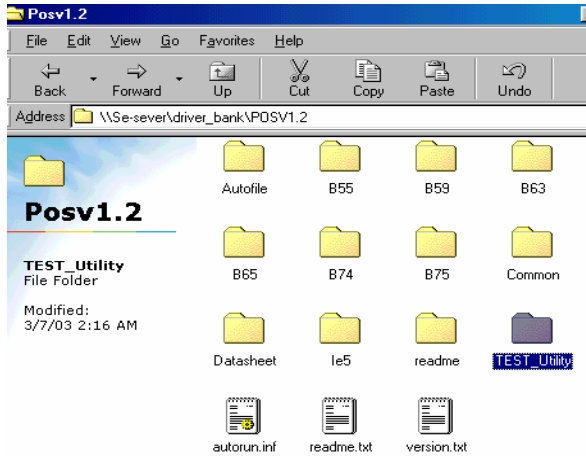


e. Connect the flat cable RJ-45 end to the Pole Display module.

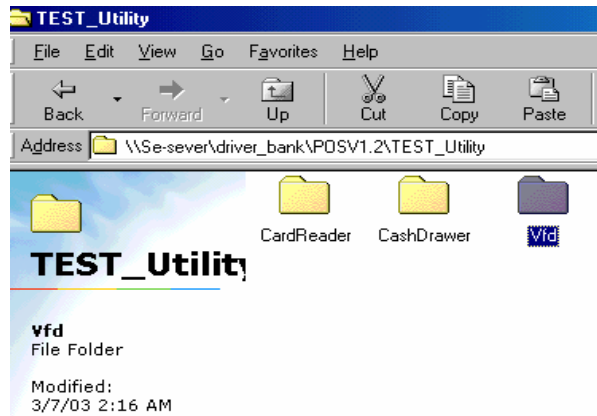


f. Connect the VFD DB9M cable connector to COM2 of POS112/115 system.

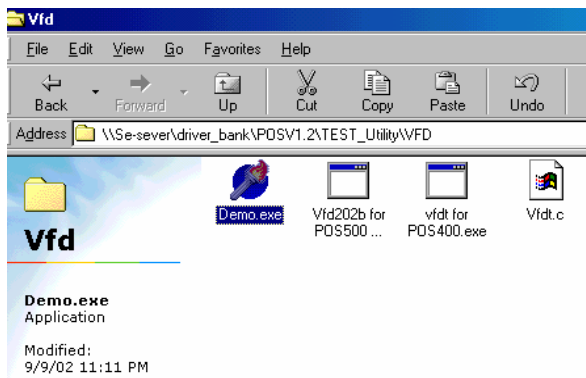
5. Test Program



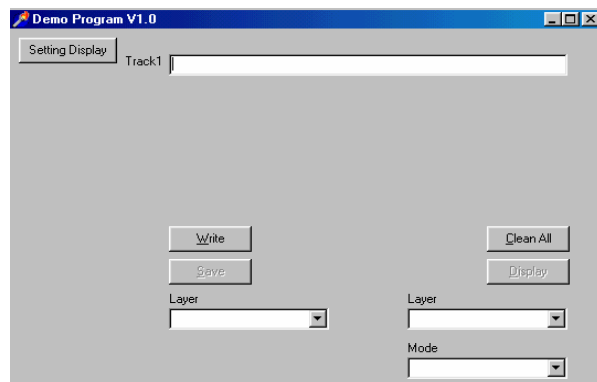
a. Select "TEST_Utility" in the Driver Bank.



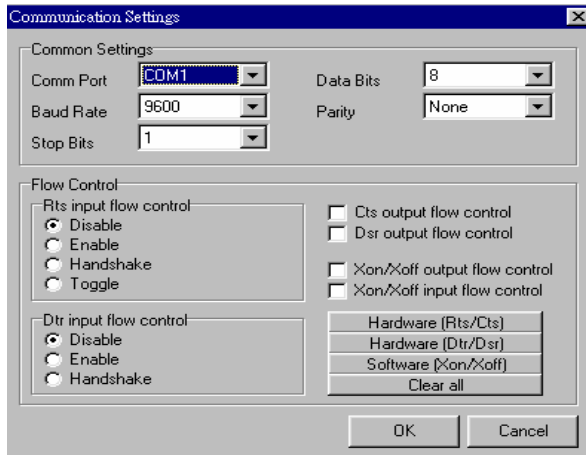
b. Select "Vfd" in the TEST_Utility window.



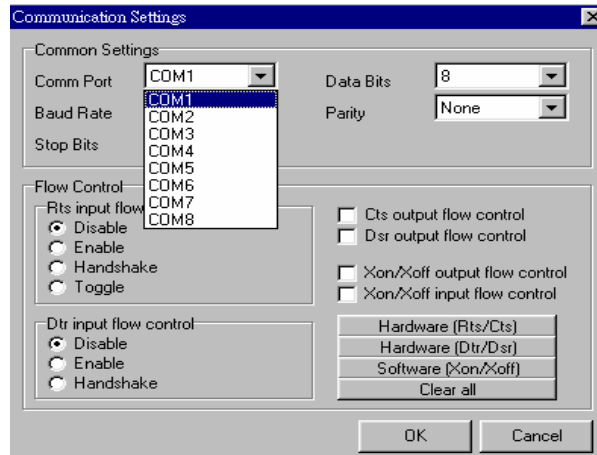
c. Double click "Demo.exe" in the Vfd window.



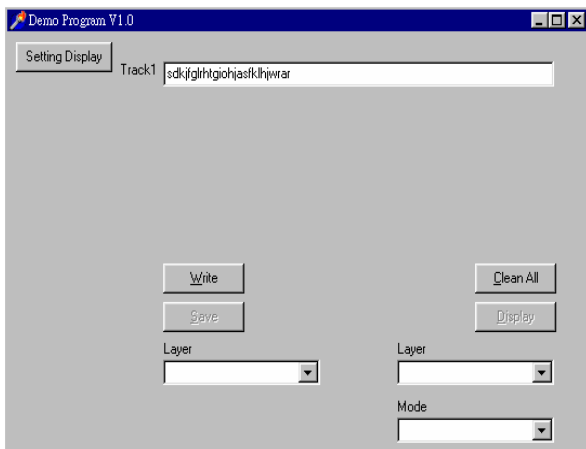
d. Click "Setting Display" button on the Demo Program V1.0 window.



e. Pull down "Comm Port" in the Communication Settings window.



f. Choose the COM port your Customer Display is connected to with the RS232 connector.



g. Type any words and click "Write" button for testing, and you will see them on the customer display.