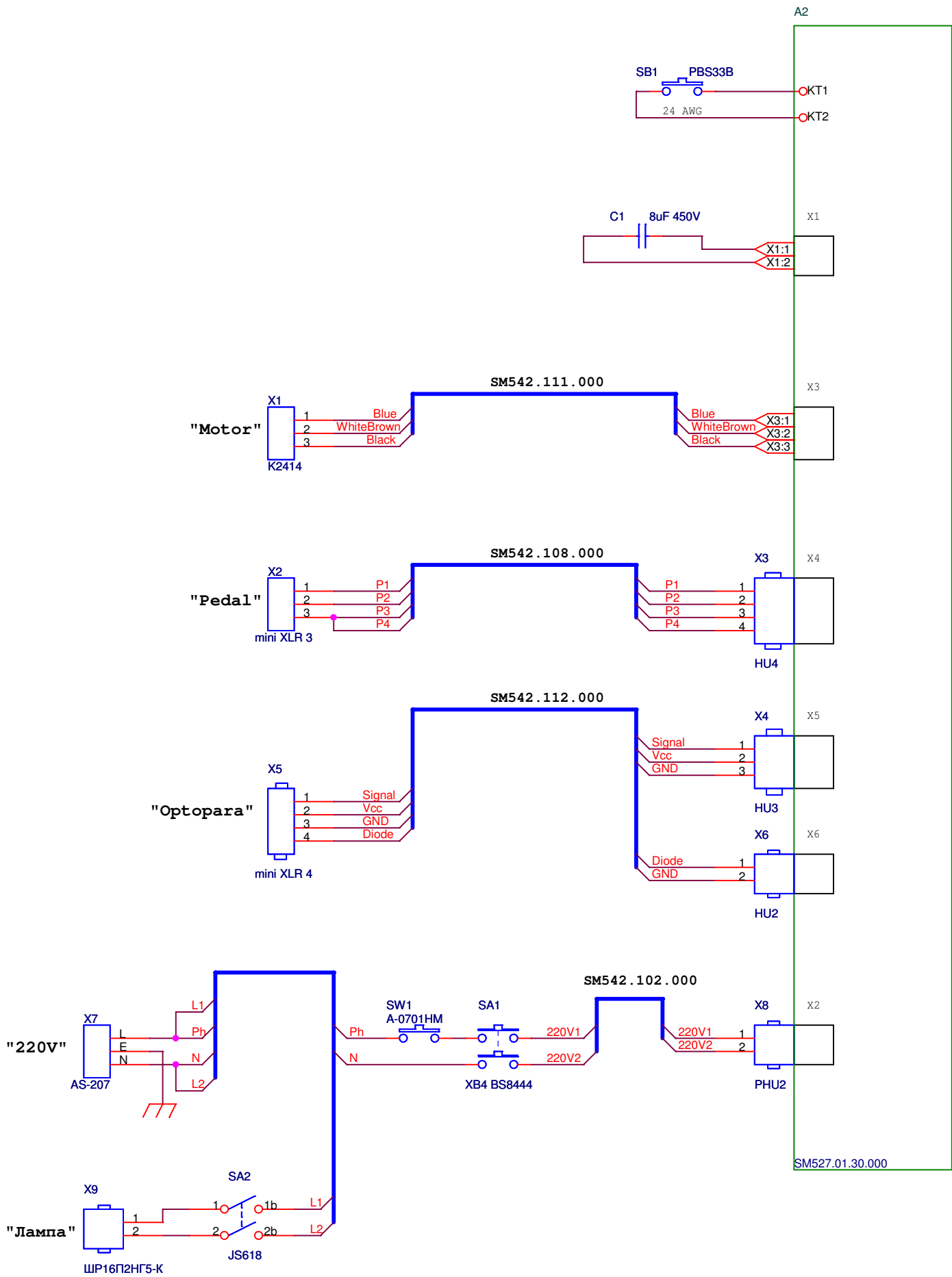


D

C

B

A



SME 527.00.00.000

Title **Control Unit**

Size	Document Number	Rev
Custom<Doc>		<RevC>

Date: Tuesday, August 31, 2010 Sheet 1 of 2